



IS4110 Non-Decode model
shown actual size



IS4100 ScanQuest® engines are miniature laser single-line scanners with a patented automatic trigger. Designed for integration into OEM equipment, ScanQuest engines are compact, lightweight and have low power requirements.

IS4100 ScanQuest®

Features

- **Patented automatic trigger or RS232 controlled activation**
- **Long-range/short-range activation modes**
- **Autodiscriminates all standard bar codes**
- **Bar code or serial programming**
- **Low power consumption**

Metrologic's IS4100 ScanQuest

engines are miniature laser scanners with maximum scanning capabilities. With a patented automatic trigger, ScanQuest provides accurate scanning quickly and reliably.

Designed for integration into OEM equipment, ScanQuest engines are compact, lightweight and have low power requirements. Any equipment designed to incorporate bar code identification can utilize the ScanQuest engine - the applications are endless.

ScanQuest engines are offered in two models: the IS4120 and the IS4110. The IS4120 has built-in decoding for versatile OEM operations, while the IS4110 non-decode version interfaces directly

with decode-equipped OEM devices.

Note: Approval and certification from agencies such as the FDA (Food and Drug Administration) must be obtained by the manufacturer of the end equipment. The specifications required for agency approval are not obtainable until the ScanQuest engine is used in its final configuration. Therefore, it becomes the responsibility of the manufacturer who incorporates the scan engines into their product to comply with all federal laser safety regulations. The manufacturer must submit a Laser Product Report for the FDA in the U.S. or similar forms as required by other countries. Metrologic can assist its customers in complying with the necessary procedures.



IS4100 ScanQuest®

OPERATIONAL

Light Source	Visible Laser Diode 675 nm ± 5 nm
Laser Power	0.800 mW (peak)
Depth of Scan Field	12.7 mm - 203 mm (0.5" - 8") for 0.33 mm (13 mil) bar codes
Width of Scan Field	28.6 mm (1.125") @ face; 101.6 mm (4") @ 76.2 mm (3")
Scan Speed	52 scan lines per second
Scan Pattern	Single scan line
Minimum Bar Width	0.173 mm (6.8 mil)
Decode Capability	IS4120: Autodiscriminates all standard bar codes IS4110: None
System Interfaces	IS4120: RS232, Light Pen Emulation, PC Keyboard Wedge, Stand Alone Keyboard, USB IS4110: Decode dependent
Print Contrast	35% minimum reflectance difference
Number Characters Read	IS4120: Up to 80 data characters read IS4110: Decode limited
Roll, Pitch, Yaw	42°, 68°, 52°
Beeper Operation	IS4120: Power on; good read signals IS4110: Decode limited
Indicators (LED)	IS4120: Laser on; good read signals IS4110: Decode limited

MECHANICAL

Dimensions	IS4120: 45.7 mm x 40.6 mm x 18.5 mm (1.8" x 1.6" x 0.73") IS4110: 45.7 mm x 40.6 mm x 14 mm (1.8" x 1.6" x 0.55")
Weight	IS4120: 55 g (1.94 oz) IS4110: 45 g (1.77 oz)
Termination	IS4120: 12 pin ZIF connector IS4110: 10 pin ZIF connector

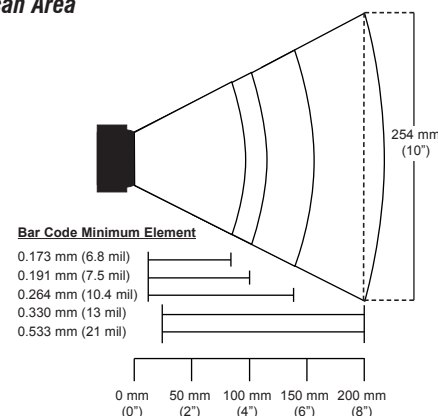
ELECTRICAL

Input Voltage	5 VDC ± 0.25 V
Power	IS4120: 0.625 W IS4110: 0.375 W
Operating Current	IS4120: 125 mA typical @ 5 VDC IS4110: 75 mA typical @ 5 VDC
Standby Current	IS4120: 65 mA typical @ 5 VDC IS4110: 1.7 mA typical @ 5 VDC
Sleep Mode Current	IS4120: 9 mA typical @ 5 VDC IS4110: Not available
Laser Class	Designed to be used as a CDRH:Class II and IEC Class I component
EMC	FCC Class A, CISPR Class A

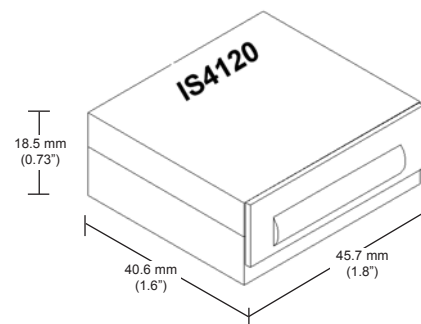
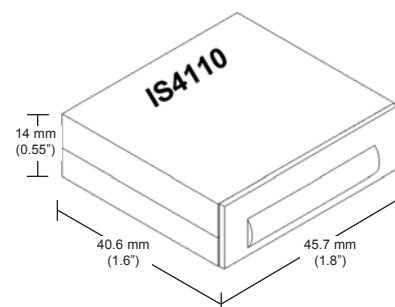
ENVIRONMENTAL

Operating Temperature	-20°C to 50°C (-4°F to 122°F)
Storage Temperature	-40°C to 70°C (-40°F to 158°F)
Humidity	5% to 95% relative humidity, non-condensing
Light Levels	Up to 4842 Lux (450 footcandles)
Contaminants	Environment dependent
Ventilation	Environment dependent
Certification	UL recognized component

Scan Area



Dimensions



www.metrologic.com

USA
Tel. 1.800.ID.METRO
info@metrologic.com

AOA (only)
Tel. 1.617.806.1400
info@aoa.metrologic.com

South America
Tel. 5511.5182.7273
info@sa.metrologic.com

Brazil (only)
Tel. 5511.5182.8226
info@br.metrologic.com

Asia
Tel. 65.6842.7155
info@sg.metrologic.com

China (only)
Tel. 86.512.62572511
info@cn.metrologic.com

Japan (only)
Tel. 81.03.3839.8511
info@jp.metrologic.com

Europe
Tel. 49.89.89019.0
info@europe.metrologic.com

Specifications subject to change without notice.
Printed U.S.A., Copyright November 2002
Metrologic, All rights reserved.



DS4100